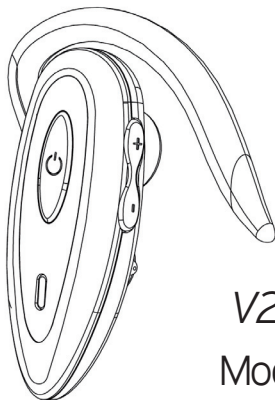




En De

BLUETOOTH HEADSET

User Manual



V2.0 + EDR Version
Model No.: **BT-ET07**



Contents

1. Introduction	5
Bluetooth headset technology.....	5
2. Charging and Basic Operation	6
Headset BT-ET07 Structure Sketch.....	6
Chargers and Batteries.....	7
Charging and the Using Time of Headset.....	7
Turning on & off the headset.....	9
Pairing the Headset with a Compatible Device	10
Disconnecting the Headset.....	11
Reconnecting the Headset	11
3. Basic Use	12
Wearing the Headset.....	12
Adjusting the Headset Ear hook.....	12
Adjusting the Headset Volume.....	13
Call Handling.....	13
Using the Headset with Several Phones.....	14
Troubleshooting.....	15
4. Battery Information	16
5. Terms Interpretation	17
6. Appendix	18
Appendix 1: Headset Standard Accessories.....	18
Appendix 2: Specification	19
Appendix 3: Indicator LED status	20
Appendix 4: Operation Statement	21

1. Introduction

Bluetooth Headset BT-ET07 can be used with any phones that support Bluetooth wireless technology. This allows you the freedom to make and receive calls while on any time and any where. Read this user manual carefully before using the headset. Read also the user manual for your phone, which provides important safety and maintenance information. Keep the headset away from children. For the user manual, all rights reserved to manufacturer.

Bluetooth headset technology

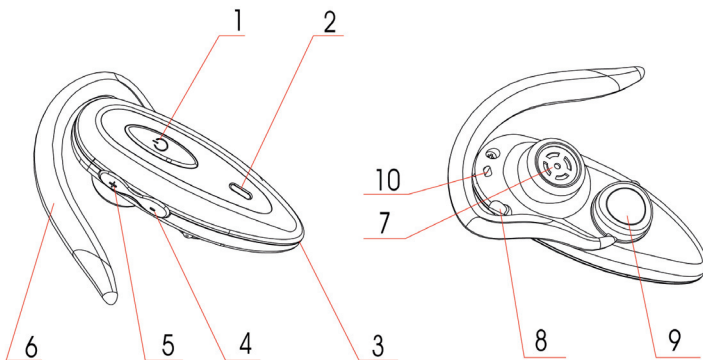
Bluetooth wireless technology allows you to connect compatible communication devices without cables. Bluetooth connection does not require that the phone and the headset be in line of sight, but both devices should be within 10 meters (30 feet) of each other. Connections may be subject to interference from obstructions, such as walls, or other electronic devices. The headset is compliant with the Bluetooth Specification 2.0 + EDR version supporting the following profiles: Headset Profile V1.2 and Hands-free Profile V1.0. Check with the manufacturers of other devices to determine their compatibility with this device. There may be restrictions on using Bluetooth technology in some location. Check with your local authorities or service provider.

*Bluetooth is a registered trademark of Bluetooth SIG, Inc.

2. Charging and Basic Operation

Headset BT-ET07 Structure Sketch

The headset contains the following parts:



- 1- Multifunction Button (MFB)
- 2- LED Indicator
- 3- Microphone
- 4- Volume down key (VL-)
- 5- Volume up key (VL+)

- 6- Ear Hook
- 7- Speaker
- 8- Charger socket
- 9- Rotation axes
- 10- Lanyard Hole

Before you can start to use the headset, you must charge the battery, and pair the headset with a compatible phone.

Note: Parts of the headset are magnetic. Metallic materials may be attracted to the headset. Do not place credit cards or other magnetic storage media near the headset, because information stored on them may be erased.

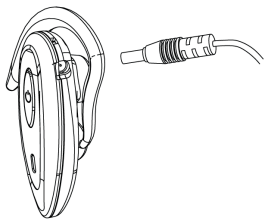
Chargers and Batteries

Check the model number of any charger before using it with this device.

Warning: Use only batteries and chargers approved by the manufacturer for use with this particular enhancement. The use of any other types may invalidate any approval or warranty, any may be dangerous. For availability of approval enhancements, please check with your dealer. When you disconnect the power cord of any enhancement, grasp and pull the plug, not the cord.

Charging and the Using Time of Headset

The headset has an internal, non-removable, rechargeable battery. Do not attempt to remove the battery from the device, as you may damage the device. Connect the charger cable to the headset, as below picture.



Connect the charger to a wall outlet or the car charger (options) to the accessory power outlet of your car. The red indicator light turns on during charging. (If you do not use the headset for long periods, causing the battery out of power completely, the red LED will not light, it's normal). The red LED will turn off automatically or appear to flash after being fully charged. The charging time is for about 2-3 hours based on different models.

Note: To make sure the batteries to be fully charged drastically, please continue to charge about one and half an hour after the red indicator light turned off. So It takes about four and half an hour for fully charging when the battery is running out off power completely.

Disconnect the charger from the wall outlet or the accessory power outlet and the headset after charging. When you disconnect the power cord of the charger, grasp and pull the plug, not the cord.

The longest continued standby time after the headset is fully charged:

Model	The longest standby time
BT-ET07	280 hours

The longest continued standby time after the headset is fully charged:

Model	The longest talking time
BT-ET07	11 hours

However, the talking and standbz times maz varz when used with different mobile phones, products that use a Bluetooth connection, usage settings, usage styles, and environments. When the battery is running out of power, the headset beeps, and the red indicator light flashes every 2 seconds .Then please charge the battery asap.

Note: If charging the headset when it is on, the headset will automatically turn off when start charging. The headset can be turned on for using while in charging status.

Turning on & off the headset

1. To turn on the headset, please press the Multifunction Button (MFB) about 2 seconds, until the headset beeps and the blue LED starts to flash for continued 4 times and red LED flashes 2 times(some headsets' red LED will not flash, it is also normal).
2. The blue LED will flash every 2 or 5 seconds after turning on(before paired).
3. To turn off, please press the Multifunction Button (MFB) about 5 seconds, until the headset beeps, and the red LED flashes for continued 4 times.

Pairing the Headset with a Compatible Device

1. Turning on your phone and the headset.
2. Activate the Bluetooth function on the phone. (See the user guide of your phone for instructions).
3. Press and hold the Multifunktion key for 2 sec. until the blue and red indicator lights flashes in turn. When you release the key, the headset is ready to be paired.

Note: If the headset paired already, you should cut the current connection, then it can pair again.

4. Set the phone to search for Bluetooth devices. (See the user guide of your phone for instructions).
5. Select the headset BT-ET07 from the phone list of found devices.
6. Enter the pass key 0000 to pair and connect the headset to your phone. For some phones you may need to make the connection separately after pairing (See the user guide of your phone for details). You only need to pair the headset with your phone for one time. When the headset is connected to the phone and ready for use, the headset beeps, and the blue indicator light flashes every 10 seconds(some flash every 5 seconds). The headset model appears in the phone menu where you can view the current paired Bluetooth devices.

Note: If the headset can not connect any compliant mobiles or other devices successfully within 20 minutes after it turns on, the headset will turn off automatically.

Disconnecting the Headset

To disconnect the paired headset from your phone (for example, to connect the phone or headset to another Bluetooth device), turn off the headset, or disconnect the headset from the Bluetooth menu of your phone. You do not need to delete the paired headset from the phone in order to disconnect it.

Reconnecting the Headset

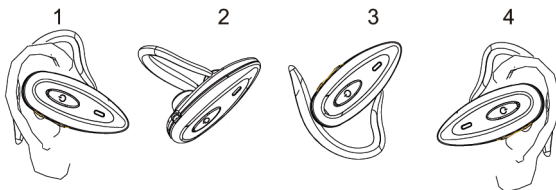
To reconnect the paired headset to your phone:

The status of paired headset and phone	Reconnecting methods
The paired phone turns on, headset turns off	Turn on the headset, it will connect with phone automatically
The paired headset turns on, phone turns off	Turn on the phone, press the headset MFB button, it will connect automatically or connect from phone's Bluetooth menu.
If cutting the connection from phone's Bluetooth menu, but headset is still on	
Both paired headset and phone are on, but out of connection	Connect from phone's Bluetooth menu

3. Basic Use

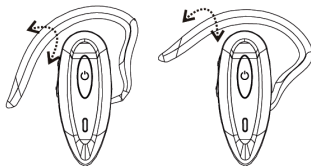
Wearing the Headset

The headset is ready to wear on the right ear (Pic. 1). If you want to use it on the left ear, please softly lift up the earhook (Pic. 2) and rotate it (Pic. 3), and push it back to the suitable place , then wear to your ear(Pic. 4).



Adjusting the Headset Ear hook

The ear hook can be adjusted to suit the different ear size and make you feel comfortable.



Warning: Make sure not to distort the ear hook always for a long time with large extent while adjusting the hook, otherwise may damage the ear hook.

Adjusting the Headset Volume

Press the VL+key to increase or the VL-key to decrease the volume.

Note: There are 15 volume levels available for adjusting to high or low, moreover high volume and low volume can be identified by different tone. Whenever it reaches the maxi / mini volume, you will hear two beeps.

Call Handling

To Make a Call

To make a call, dial the number with your phone, and press the answer key on your phone. If your phone supports redialing function, please press the VL+ key of the headset for 3 seconds, until it beeps then release the VL+key. If your phone supports voice dialing function, press the VL-key of the headset until it beeps, then please release the VL-key. And operate as described in the user guide of your phone.

To Answer a Call

To answer a call, press the headset MFB or the answer key on your phone. If the automatic answer function is set on in your phone, the phone automatically answers the incoming call after one ring. If you do not want to answer a call, press the headset MFB for 3 seconds until it beeps.

To End a Call

To end the current active call, press the headset MFB or press the ending key on your phone.

To Mute or Cancel Mute of Microphone

To mute the microphone during a call, press the headset MFB and VL+key simultaneously until it beeps. Repeating this operation can cancel the mute function.

Transferring a Call

To transfer the call from the headset to a compatible phone, press the headset MFB and VL- key for 3 seconds simultaneously until it beeps. Or use the related function in your phone.

Using the Headset with Several Phones

You can pair the headset with 8 phones, but connect only one phone at a time. If the headset is switched on within 10 meters (30 feet) among several paired phones, the headset tries to connect the last used phone. If the headset can not connect the last used phone, you should set connection from the last used phone or other phones' Bluetooth menu. If the headset still could not connect any phones within 20 minutes, it will turn off automatically.

Resetting the Headset

Under following status you have to reset the headset:

- Headset still does not work after being fully charged.
- Headset software needs reset.

Plug the charger to the headset and charge it for seconds to restart (Normally such situation seldom happens).

Troubleshooting

If you can't connect the headset to your phone, do as following:

- Ensure the headset is charged, turned on and paired and connect to your phone.
- Ensure the Bluetooth function is active on your phone. Check the headset is within 10 meters (30 feet) from your phone and there are no obstructions between the headset and the phone, such as walls or other electronic devices.

If you don't use headset for long time, or maintain the battery well, thus will make the battery invalid. If so, please contact supplier.

Note: If headset disconnects with phone due to the weak signal (Distance between headset and phone is out of 10 meters), the paired headset will connect with the phone automatically within 20 minutes in the available distance.

4. Battery Information

This headset is powered by rechargeable battery. The new battery can achieve the best function only after two or three times fully charged and discharged cycles. But it eventually will be invalid after being charged and discharged for hundreds of times. You only can charge the battery with our designated headset charger. Unplug the charger from the electrical plug and the device when you don't use it. Do not leave a fully charged battery to a charger, since overcharging may shorten its lifetime. If left unused, a fully charged battery will lose its power over time.

Note: Please charge the battery every three months if you don't use the headset for a long time.

Use the battery only for its intended purpose. Never use any damaged charger or battery!

Leaving the device in hot or cold places, such as in a closed car in summer or winter conditions, will reduce the capacity and lifetime of the battery. Please always try to keep the battery between 15 °C and 25 °C (59 °F and 77 °F). A Device with a hot or cold battery may not work temporarily, even when the battery is fully charged. The battery performance will be particularly limited when the temperature is below freezing. Do not dispose the batteries into a fire as they may explode. Batteries may also explode if damaged. Dispose the battery according to the local regulations. Please recycle the battery when possible. Do not dispose the battery as the household waste.

5. Terms Interpretation




Pairing: Verify between the two devices (Bluetooth headset and mobile phone)

Connect: The two devices build up connection for communication after been approved by each other.

Note: Normally, only need to make pairing between the two devices once, but connection will not only once (Unless only one device connect with the headset, then it can connect to that device automatically); Unsuccessful pairing not stand for available communication, only successful connection can make communication. BT-ET07 stands for the name of the headset mentioned in this manual ,the name will be showed on the discovered devices list of the mobile phone when making pairing.

6. Appendix

Appendix 1: Headset Standard Accessories

Model No.		Accessories	Image	Qty	Remark
BT-ET07	Standard	Bluetooth Headset		1 set	
		ear Hook		1 pc	
		Charger		1pc	Subject to the item used

Appendix 2: Specification

Model No.	BT-ET07
Solution	CSR
Main Chip	BlueCore4-Audio ROM
Bluetooth Version	V2.0 + EDR
Frequency	2.4GHz~2.4835GHz ISM Band
Input Power	45mW
RF Output Power	0dBm
Data Transfer Rate	2Mbps ~ 3Mbps
Headset Passkey	0000
Operation Range	Up to 10 Meters(30 feet)
Supply Current	5mA~20mA
Battery	3.6V rechargeable Li-polymer battery
Voltage	DC 5.0V~6.5V
Operating Temperature	-10°C~+45°C
Dimension	(L)59mm,(W)24mm,(H)11mm
Weight	13g
Charging Time	2 hours and 45 minutes
Talking Time	Up to 11hours
Standby Time	280 hours

Appendix 3: Indicator LED status

LED	Status	Note
Blue	Flashing continued 4 times and red LED flashing 2 times (The red LED is not flashing for some headsets, it's normal)	Turning on mode
	Flashing 1 time for every 2 seconds (or for every 5 seconds for some headsets)	Standby mode before pairing
	Flashing 1 time for every 10 seconds (or for every 5 seconds for some headsets)	Standby after successful pairing
	Flashing continued 2 times for every 8 seconds	Data transferring mode or on a call
Red	Flashing continued 4 times rapidly	Turning off mode
	Keeping on Lighting	Charging Status
	Flashing (not in charging status)	Indicating low battery
Red & Blue	Flashing in turn rapidly	Pairing mode (last for about 5 minutes)
	All indicator LED off	Finishing charging or charging the headset which ran out of the battery power or headset turned off

Appendix 4: Operation Statement. Part 1

Operation	Methods	Status
Turning on	Long press the MFB key for 2 seconds	The blue LED flashes 4 times and red LED flashes 2 times.(The red LED does not flash for some headsets,it is normal)and hear a beep
Turning off	Long press the MFB key for 5 seconds	Red indicator flashes 4 times and hear a beep
Pairing	With the headset on, hold the volume VL+keyfor 2 seconds	Red and blue LED flash in turn
Answering a call	Press the MFB key	Communication available after hearing a beep and both red and blue LED flash 1 time each(some headsets don't flash,it is normal)

Note: Under some status of headsets,when you press the MFB/VL+/VL- key,the red LED and blue LED will flash 1 time(Some headsets will not flash,it is normal).They are normal flashing since you have pressed the key.

Appendix 4: Operation Statement. Part 2

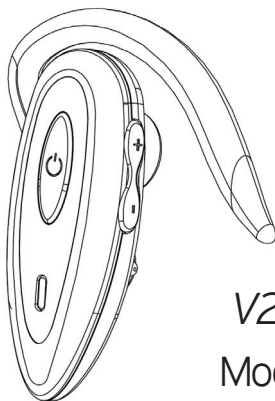
Operation	Methods	Status
Transferring a call from mobile to headset or headset to mobile	Press both the MFB key and volume VL-key simultaneously for 3 seconds	Hearing a beep
Increasing the volume	Press VL+key	Hearing a beep and both red and blue LED flash 1 time each (some headsets don't flash, it is normal) Total 15 volume levels available
Decreasing the volume	Press VL-key	Hearing a beep and both red and blue LED flash 1 time each (some headsets don't flash, it is normal) Total 15 volume levels available
Ending a call	Press MFB key	Hearing a beep and both red and blue LED flash 1 time each (some headsets don't flash, it is normal)
Redialing	Press VL+key for 3 seconds	Automatically redial the last number you called after hearing a beep



De

BLUETOOTH HEADSET

Anleitung



V2.0 + EDR Version

Model No.: **BT-ET07**



1. Einführung	27
Bluetooth Headset Technik	27
2. Laden und Grundfunktionen	28
Headset BT-ET07 - Teileskizze	28
Ladegeräte und Akkus	29
Verbinden des Headsets mit einem kompatiblen Gerät.....	30
Laden des Headsets	30

1. Einführung

Das Bluetooth Headset BT-ET07 kann mit jedem Handy verwendet werden, das über eine Bluetooth-Funktion verfügt. Damit sind Sie in der Lage, jederzeit und überall Telefonate zu führen und entgegenzunehmen.

Lesen Sie diese Anleitung gründlich durch, bevor Sie das Headset benutzen.

Lesen Sie auch die Anleitung Ihres Handys, in der Sie wichtige Sicherheitshinweise und Anleitungen finden. Das Headset gehört nicht in Kinderhände!

Alle Rechte dieser Bedienungsanleitung liegen beim Hersteller.

Bluetooth Headset Technik

Die drahtlose Bluetooth-Technik erlaubt es Ihnen, kompatible Kommunikationsgeräte ohne Kabel miteinander zu verbinden. Eine Bluetooth-Verbindung setzt nicht voraus, dass Handy und Headset einander „sehen“, aber die Entfernung der beiden Geräte zueinander sollte nicht größer als 10 m sein. Die Verbindung kann durch Abstrahlung gestört werden, etwa durch eine Wand oder auch durch andere elektronische Geräte. Das Headset BT-ET07 entspricht der Bluetooth-Spezifikation 2.0+EDR, die folgende Profile unterstützt: Headset-Profil V1.2 und Freisprechprofil V1.0. Vergleichen Sie die Funktionen Ihrer anderen Geräte, um herauszufinden, welche Profile kompatibel sind.

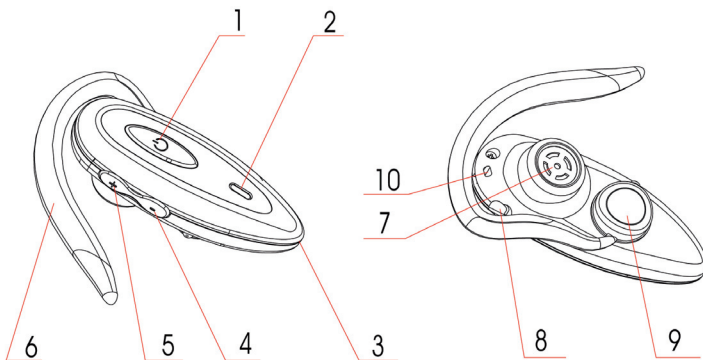
In einigen Ländern kann die Verwendung von Bluetooth-Technik eingeschränkt sein. Erkundigen Sie sich bei den Behörden vor Ort oder bei Ihrem Mobilfunk-Anbieter.

*Bluetooth is a registered trademark of Bluetooth SIG, Inc.

2. Laden und Grundfunktionen

Headset BT-ET07 - Teileskizze

Das Headset besteht aus folgenden Teilen:



1. Multifunktionsknopf

2. LED-Anzeige

3. Mikrofon

4. Lautstärke-leiser-Knopf (VL-)

5. Lautstärke-lauter-Knopf (VL+)

6. Ohrklemme

7. Lautsprecher

8. Ladebuchse

9. Drehscheibe

10. Fangriemenloch

Bevor Sie Ihr Headset verwenden können, müssen Sie den Akku laden und das Headset mit einem kompatiblen Handy verbinden.

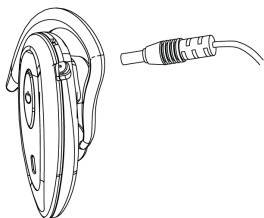
Achtung: Teile des Headsets sind magnetisch. Metallische Gegenstände könnten angezogen werden. Achten Sie darauf, keine Kreditkarten oder magnetische Speichermedien in die Nähe des Headsets zu bringen, da sonst die darauf gespeicherten Informationen gelöscht werden könnten!

Ladegeräte und Akkus

Bevor Sie das Headset an ein Ladegerät anschließen, prüfen Sie unbedingt die Modellnummer!

Achtung: Verwenden Sie nur vom Hersteller freigegebene Akkus und Ladegeräte. Die Verwendung anderer Zubehörteile kann sehr gefährlich sein und zudem den Verlust der Garantie zur Folge haben. Fragen Sie Ihren Händler nach zugelassenen Zubehörteilen.

Wenn Sie ein Gerät von seinem Stromkabel trennen, fassen Sie immer den Stecker an und ziehen ihn heraus. Ziehen Sie niemals am Kabel!



Laden des Headsets

Das Headset hat einen eingebauten, nicht zu entfernenden, Akku. Versuchen Sie auf keinen Fall, den Akku gewaltsam zu entfernen – dabei könnten Sie das Headset beschädigen!

Verbinden Sie das Ladegerät mit dem Headset, wie auf der Abbildung zu sehen.

Verbinden des Headsets mit einem kompatiblen Gerät

1. Schalten Sie Ihr Handy und das Headset ein.
2. Aktivieren Sie die Bluetooth-Funktion in Ihrem Handy. (Die Anleitung dazu finden Sie im Handbuch Ihres Handys.)
3. Drücken Sie den Multifunktionsknopf und halten Sie ihn für 2 Sek. gedrückt, bis die rote und die blaue LED-Anzeige abwechselnd leuchten. Wenn Sie nun den Knopf loslassen, ist das Headset bereit zur Verbindung.

Hinweis: Sollte das Headset bereits verbunden sein, unterbrechen Sie die aktive Verbindung, damit eine neue Verbindung hergestellt werden kann.

-
4. Lassen Sie Ihr Handy nach Bluetooth-Geräten suchen. (Die Anleitung dazu finden Sie im Handbuch Ihres Handys.)
 5. Wählen Sie aus der Liste der gefundenen Geräte das BT-ET07 aus.
 6. Geben Sie den Schlüssel 0000 ein, um das Headset mit Ihrem Handy zu verbinden. Bei einigen Geräten müssen Sie die Verbindung manuell herstellen. Schauen Sie in das Handbuch Ihres Handys, um Details darüber zu erfahren. Die Grundverbindung zwischen Headset und Handy müssen Sie nur einmal herstellen.

Wenn das Headset mit dem Telefon verbunden ist und verwendet werden kann, piept es und die blaue LED-Anzeige blinkt im Abstand von 10 Sek. (bei manchen Geräten 5 Sek.). Das Headset erscheint nun auch in der Liste der Geräte, die gerade über Bluetooth mit dem Handy verbunden sind.

Hinweis: Kann sich das Headset innerhalb von 20 Minuten nachdem es eingeschaltet wurde mit keinem kompatiblen Gerät verbinden, schaltet es sich automatisch ab.



www.blu-max.eu